

Important Information

GENERAL

- IMPORTANT-READ CAREFULLY-RETAIN THESE INSTRUCTIONS FOR FUTURE

REFERENCE

- Due to the size of this product we recommend that it is assembled in the room intended for use.
- When you are ready to start ,make sure that you have the right tools, plenty of of space and a clean floor to prevent it from scratching.
- Check the pack and make sure you have all the parts listed.
- Ensure that this fully assembled and secured as illustrated before use.
- Check all screws or bolts are tightened and inspect regularly
- This product should only be used on firm ,level ground.
- Please dismantle for transportation
- Tools not included.
- Do not destroy the packing until after the frame is fully assembled , we will not accept and bed for return unless packed in its original packaging.

WARNINGS

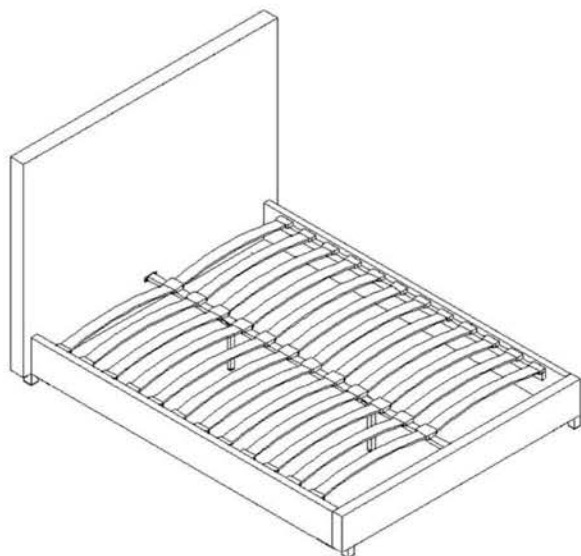
- This product is intended for a maximum person's weight 100kg per side.Do not exceed this weight.
- Keep small parts out of reach of children.
- Make sure the legs remain in contact with the ground.
- Do not use power tools to construct this product.
- Do not tighten screws until fully assembled.
- Do not over tighten screws or bolts.
- Do not use this product if part are missing ,damaged or worn.
- Do not stand on the product.

CARE INSTRUCTIONS

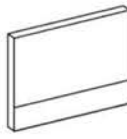

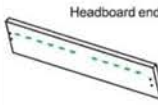
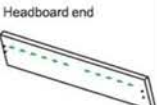

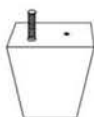




- Never use scourers,abrasives or chemical cleaners.
- To clean wipe with a sponge and warm soapy water .Do not use solvent based cleaners or detergents as they can bleach or damage the product.
- For soft fabric beds hover or brush with a soft brush on a regular basis to take away grit and dust .spot clean with a clean damp cloth with no cleaning agents.

ASSEMBLY INSTRUCTIONS




These instructions are for a double and king size bed frame.
Picture for reference only.



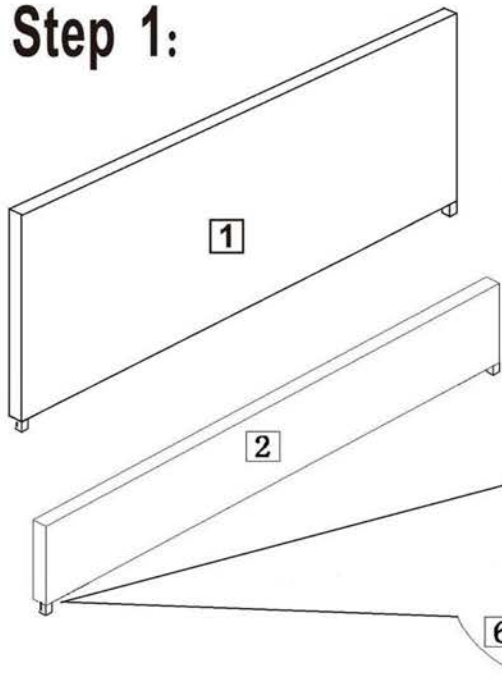
Parts Identification

| | | | |
|--|--|---|--|
|  1 Headboard |  2 Footboard |  3 Left side rail |  4 Right side rail |
|  5 Centre support rail x 1 |  6 Leg x 4 |  7 Centre support leg x 2 |  8 Centre slat caps x 12(king & double) |
|  9 Bent slats x 24(king & double) |  10 Plastic slat caps x 24(king & double) | | |

Fittings Identification

| | | |
|--|--|--|
|  25mm M8 Bolt x 14 |  Flat washer x 8 |  Allen key x 1 |
| | | |
| | | |

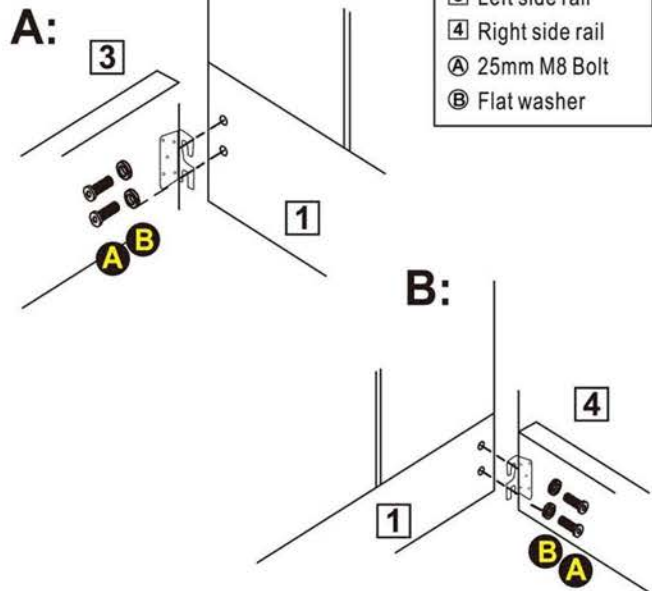
Step 1:



Parts Required

- 1 Headboard
- 2 Footboard
- 6 Leg

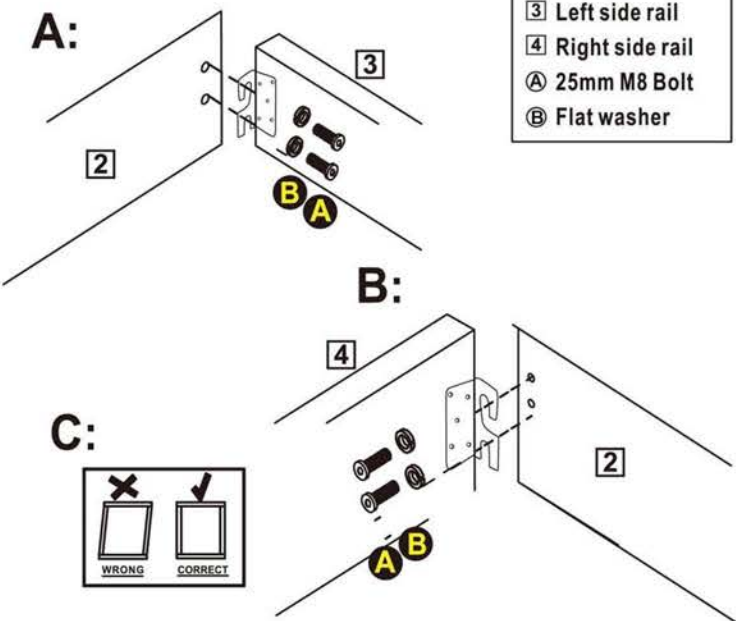
Step 2:



Parts Required

- 1 Headboard
- 3 Left side rail
- 4 Right side rail
- A 25mm M8 Bolt
- B Flat washer

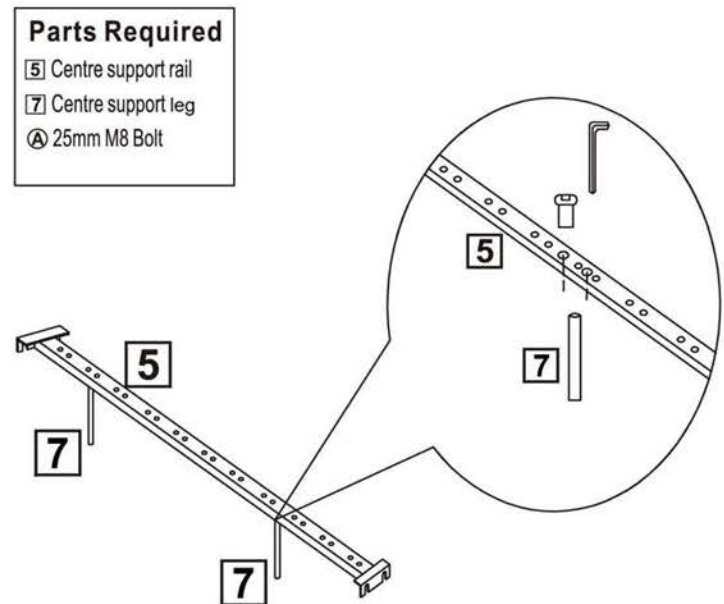
Step 3:



Parts Required

- 2 Footboard
- 3 Left side rail
- 4 Right side rail
- A 25mm M8 Bolt
- B Flat washer

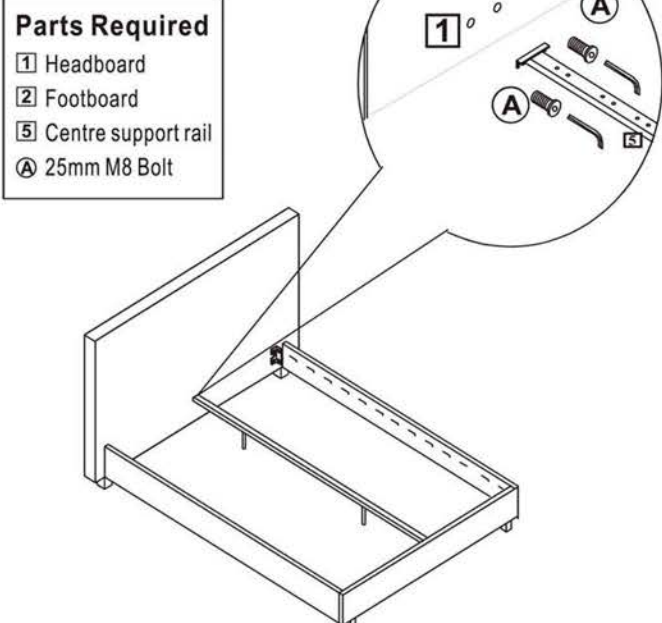
Step 4:



Parts Required

- 5 Centre support rail
- 7 Centre support leg
- A 25mm M8 Bolt

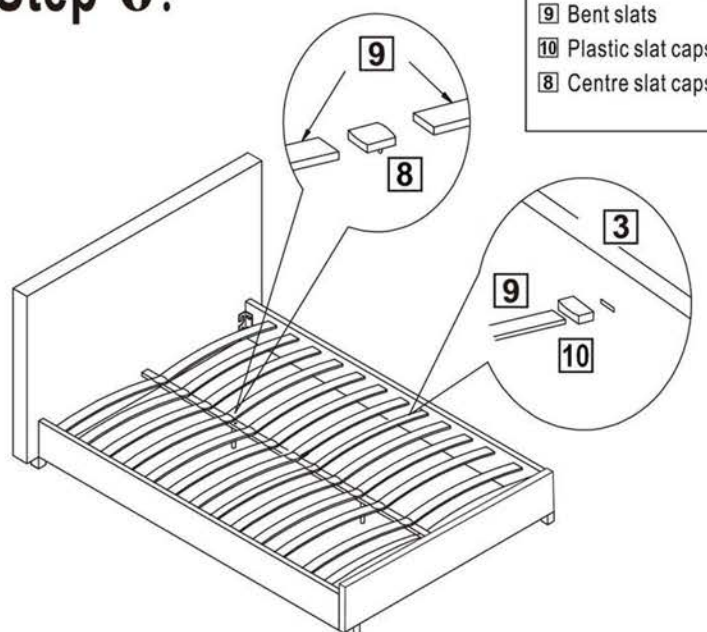
Step 5:



Parts Required

- 1 Headboard
- 2 Footboard
- 5 Centre support rail
- A 25mm M8 Bolt

Step 6:



Parts Required

- 9 Bent slats
- 10 Plastic slat caps
- 8 Centre slat caps